

## PRESSURE VESSELS RO CODELINE 4"-600 PSI PV 40E60 END PORT



## PV 40E60 CODELINE

## MATERIALE DI COMPOSIZIONE:

- Vessel: \_\_\_\_\_ Vetrosesina
- Tappi: \_\_\_\_\_ PVC
- Anello di chiusura tappo: \_\_\_\_\_ 316 SST
- Basamento tappo: \_\_\_\_\_ Acciaio Nichelato

## DATI TECNICI

- Pressione di progetto: \_\_\_\_\_ 41 bar a 49°C (600 psi a 120°F)
- Temperatura minima di esercizio: \_\_\_\_\_ -7°C (20°F)
- Pressione di collaudo: \_\_\_\_\_ 62 bar (900 psi)
- Pressione di scoppio: \_\_\_\_\_ 248 bar (3600 psi)
- Uscita permeato: \_\_\_\_\_ 1/2" NPT Femmina
- Uscita concentrato: \_\_\_\_\_ 3/4" NPT Femmina
- Colore Standard: \_\_\_\_\_ Bianco
- Connessione con membrana: \_\_\_ Tramite adapter (2 x vessel, non inclusi, vedi documentazione tecnica)
- Nr. di elementi disponibili: \_\_\_\_\_ 1-2-3-4-5-6

## CERTIFICATI:

- Direttiva 97/23/CE (PED)
- NSF/ANSI 61
- ISO 9001:2000

## APPLICAZIONI:

- Osmosi inversa;
- Ultrafiltrazione.

## ACCESSORI DA ORDINARE A PARTE:

- Selle: CA45058 (nr. 2 per vessel fino al 3 elementi, dal 4 elementi fino al 6 elementi nr. 3 per vessel)
- Tiranti: CA47459 (nr. 2 per vessel fino al 3 elementi, dal 4 elementi fino al 6 elementi nr. 3 per vessel)
- Adapter: nr. 2 x vessel (vedi documentazione tecnica).

## TRATTAMENTO DELLE ACQUE:

- Domestiche
- Industriali
- Municipali
- Reflue (contattare l' Ufficio tecnico Hytek)
- di mare
- Farmaceutiche
- Alimentari

## CODELINE PV 40E60

## MATERIALS COMPOSITION:

- Shell material: \_\_\_\_\_ Fiberglass
- Plugs: \_\_\_\_\_ PVC
- Retaining ring \_\_\_\_\_ 316 SST
- Bearing ring \_\_\_\_\_ Nickel-plated Alloy Steel

## TECHNICAL SHEET:

- Design Pressure: \_\_\_\_\_ 41 bar a 49°C (600 psi at 120°F)
- Min. Operating temperature: \_\_\_\_\_ -7°C (20°F)
- Factory Test Pressure \_\_\_\_\_ 62 bar (900 psi)
- Burst Pressure: \_\_\_\_\_ 248 bar (3600 psi)
- Permeate Port: \_\_\_\_\_ 1/2" NPT Female
- Concentrate Port: \_\_\_\_\_ 3/4" NPT Female
- Standard color: \_\_\_\_\_ White
- Connection membrane: \_\_\_\_\_ By Adapter (2 x vessel, not included, see technical documentation)
- Nr. elements available: \_\_\_\_\_ 1-2-3-4-5-6

## CERTIFICATIONS:

- 97/23/CE Directive (PED)
- NSF/ANSI 61
- ISO 9001:2000

## APPLICATIONS:

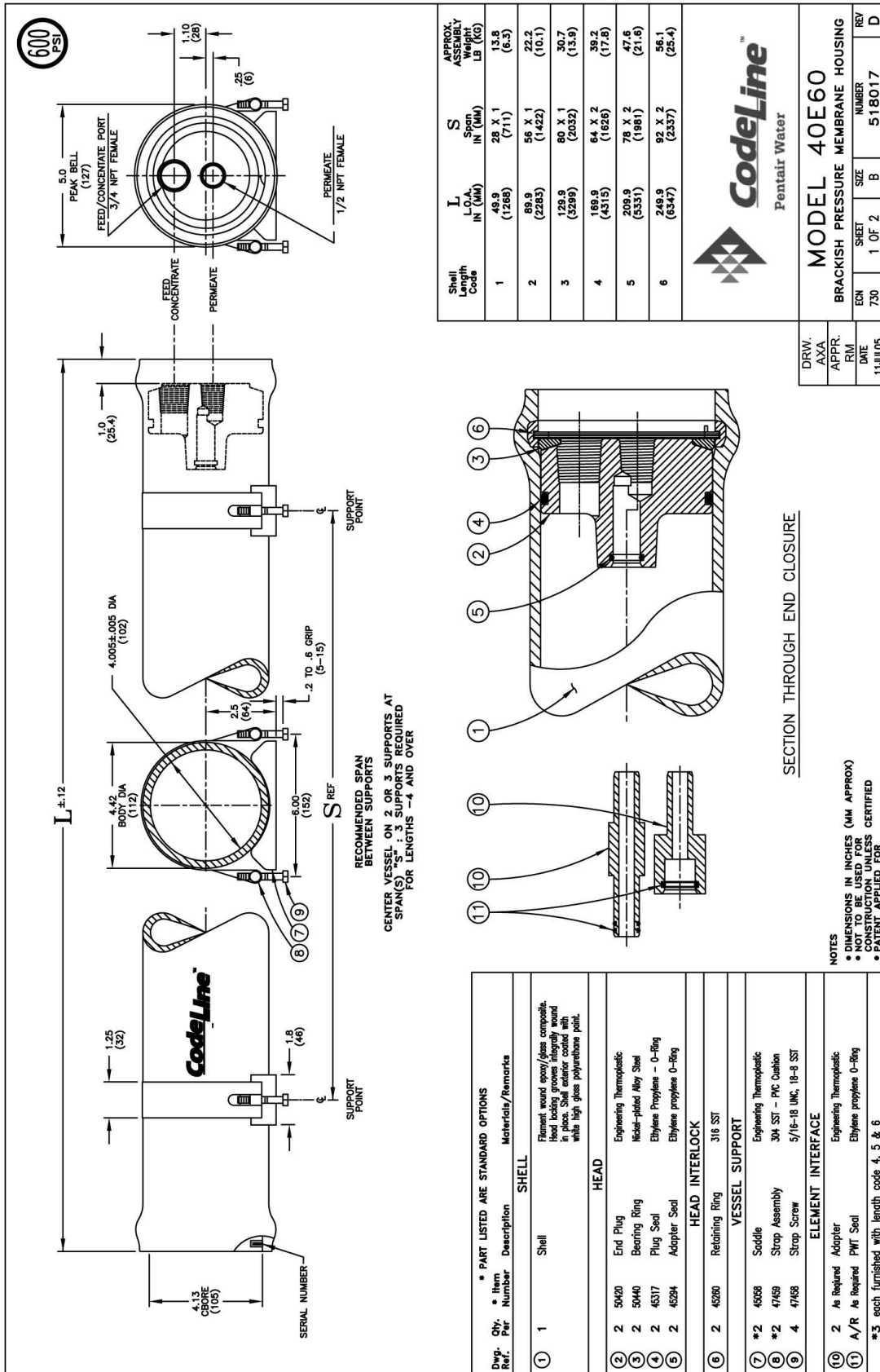
- Reverse Osmose
- Ultrafiltration.

## ACCESSORIES TO BE ORDERED SEPARATELY:

- Saddles: CA45058 (nr. 2 supports required up to 3 elements, 3 supports required for length 4 and over)
- Straps: CA47459 (nr. 2 straps required up to 3 elements, 3 supports required for length 4 and over)
- Adapter: nr. 2 x vessel (see technical documentation).

## WATER TREATMENTS

- Domestic
- Industrial
- Municipal
- Drains (contact Hytek Technical Office)
- Sea
- Pharmaceuticals
- Alimentary



Shell Length Code	L L.O.A. IN (MM)	S Span IN (MM)	APPROX. ASSEMBLY Weight LB (KG)
1	49.9 (1265)	28 X 1 (711)	13.8 (6.3)
2	89.9 (2285)	56 X 1 (1422)	22.2 (10.1)
3	129.9 (3299)	80 X 1 (2032)	30.7 (13.9)
4	169.9 (4315)	64 X 2 (1626)	39.2 (17.8)
5	209.9 (5331)	78 X 2 (1981)	47.6 (21.6)
6	249.9 (6347)	92 X 2 (2337)	56.1 (25.4)

**RATING:**

DESIGN PRESSURE..... 600 PSI at 120°F  
 (4.1 MPa at 49°C)  
 MIN. OPERATING TEMP..... 20°F  
 (-7°C)  
 FACTORY TEST PRESSURE..... 900 PSI  
 (6.2 MPa)  
 BURST PRESSURE..... 3600 PSI  
 (24.8 MPa)

**INTENDED USE**

The Codeline Model 40E60 Fiberglass RO Pressure Vessel is designed for continuous, long-term use as a housing for reverse osmosis membrane elements to desalt typical brackish waters at pressures up to 600 psi. Any make of four-inch nominal diameter spiral-wound element is easily accommodated; the appropriate interlocking hardware for the element specified is furnished with the vessel.

The Codeline Model 40E60 must be installed, operated and maintained in accordance with the precautions listed and good industrial practice to assure safe operation over a long service life.

The high performance reinforced plastic shell must be allowed to expand under pressure; undue restraint at support points or piping connections can cause leaks to develop in the shell. The end closure, incorporating close-fitting, interlocking metal components, must be kept dry and free of corrosion; deterioration can lead to catastrophic mechanical failure of the head.

Pentair Water will assist the purchaser in determining the suitability of this standard vessel for their specific operating conditions. The final determination however, including evaluation of the standard materials of construction for compatibility with the specific corrosive environment, shall be the responsibility of the purchaser.

Specifications subject to change without notice.

**PRECAUTIONS**

- DO... read, understand and follow all instructions; failure to take every precaution will void warranty and may result in vessel failure
- DO... mount shell on horizontal membrane at central span **S** using compliant vessel supports furnished; tighten hold down straps just snug
- DO... provide overpressure protection for vessel set at not more than 105% of design pressure
- DO... inspect end closures regularly; replace components that have deteriorated and correct causes of corrosion
- DO NOT... make rigid piping connections to ports or clamp vessel in any way that restricts growth of fiberglass shell under pressure; ▲DK = 0.02 in. (0.5mm) and ▲L = 0.2 in. (5mm) for a length code -5 vessel
- DO NOT... hang piping manifolds from threads or use vessel in any way to support other components.
- DO NOT... operate vessel at pressures and temperatures in excess of its rating
- DO NOT... operate vessel without a complete set of elements and interconnecting hardware
- DO NOT... overtighten the connection to the permeate port (hand-tighten plus one-quarter turn, check for leaks.)
- DO NOT... tolerate leaks or allow end closures to be routinely wetted in any way
- DO NOT... pressurize vessel until double checking to verify that the Retaining Ring is in place and fully seated.
- DO NOT... work on any component until first verifying that pressure is relieved from vessel
- DO NOT... operate at pH levels below 3 or above 10

For complete information on proper use of this vessel please refer to the 40E Series USER'S GUIDE, Bulletin 526004

**CAUTION:**  
 EYE PROTECTION SHOULD BE WORN WHEN REMOVING OR INSTALLING RETAINING RINGS.  
 KEEP FINGERS CLEAR FROM RETAINING RING WHILE INSTALLING LAST OF TWO TURNS.  
 RING MAY SNAP INTO POSITION POSSIBLY PINCHING FINGERS.

**ORDERING**

Using the chart below, please check the features you require and fax them with your purchase order to our customer service department for expedited processing. For optional materials and or feature not listed below, please consult the factory for pricing and availability.

**VESSEL LENGTH CODE - please check one**  
 CODELINE MODEL 40E60 □-1 □-2 □-3 □-4 □-5 □-6

**EXTERIOR FINISH - please check one**

- Standard - white high-gloss polyurethane coating over sanded surface.
- Option - optional colors are available for 50 or more vessels per order. Call factory for pricing details.

**CERTIFICATION - please check one**

- Standard - certified by Pentair Water, not code stamped.
- Option - CE marked.

**MEMBRANE BRAND AND MODEL - please check one and fill in information**

- Please supply adapters for the following membrane brand and specific model.  
 Brand \_\_\_\_\_ Model \_\_\_\_\_

- Membrane brand and model information is not currently available, but will be supplied to Codeline on or before the following date: \_\_\_\_/\_\_\_\_/\_\_\_\_

**MATERIAL AND PORT CONFIGURATIONS OPTIONS - please check one**

- Standard - all materials and port configurations per drawing 518017 on the opposite page.

## ADATTATORI PER PV 40E60 CODELINE / ADAPTERS CODELINE PV40E60

MARCA MEMBRANA MEMBRANA MAKE	MODELLO/MODEL	ADAPTER	TIPO DI ADAPTER ADAPTER TYPE
GE - Osmonics / DESAL			
	DURATHERM STD RO 4040	CA50015	Male/Maschio
	DURATHERM HWS RO 4040	CA50011	Female/Femmina
	DURASLICK RO 4040 HS	CA50011	Female/Femmina
	DURASLICK RO 4040	CA50011	Female/Femmina
	DURASLICK NF 4040 HS	CA50011	Female/Femmina
	DURASLICK NF 4040	CA50011	Female/Femmina
	CK4040FF	CA50011	Female/Femmina
	CG4040F	CA50015	Male/Maschio
	CE4040NF	CA50011	Female/Femmina
	CE4040FF	CA50011	Female/Femmina
	CE4040F	CA50015	Male/Maschio
	CE4040C	CA50015	Male/Maschio
	CD4040F	CA50015	Male/Maschio
	AK4040TF	CA50011	Female/Femmina
	AK4040NF	CA50011	Female/Femmina
	AK4040FF-CERT	CA50011	Female/Femmina
	AK4040FF	CA50011	Female/Femmina
	AK4040CF	CA50011	Female/Femmina
	AK4040C	CA50015	Male/Maschio
	AG4040TF	CA50011	Female/Femmina
	AG4040NF	CA50011	Female/Femmina
	AG4040FF-CERT	CA50011	Female/Femmina
	AG4040FF	CA50011	Female/Femmina
	AG4040CF	CA50011	Female/Femmina
	AG4040C	CA50015	Male/Maschio
	AD4040FF	CA50011	Female/Femmina
	AD4040F	CA50015	Male/Maschio
	AE4040FF	CA50011	Female/Femmina
	AG4040F	CA50015	Male/Maschio
	AG4040T	CA50015	Male/Maschio
	DK4040F	CA50015	Male/Maschio
	SC4040CZH	CA50015	Male/Maschio
	SC4040F	CA50015	Male/Maschio
	SE4040CZH	CA50015	Male/Maschio
	SE4040F	CA50015	Male/Maschio
	SG4040C	CA50015	Male/Maschio
	SG4040CZH	CA50015	Male/Maschio
	SG4040F	CA50015	Male/Maschio
	VinoPro 4040C-30D/CA50D	CA50015	Male/Maschio
	411	CA50045	Female/Femmina
	414	CA50011	Female/Femmina
	415	CA50011	Female/Femmina
Filmtec (DOW)			
	RO-4040-FF	CA50011	Female/Femmina
	HSRO-4040-FF	CA50011	Female/Femmina
	NF200-4040	CA50011	Female/Femmina
	NF270-4040	CA50011	Female/Femmina
	NF90-4040	CA50011	Female/Femmina
	NF-4040	CA50011	Female/Femmina
	SW30HR LE-4040	CA50011	Female/Femmina
	SW30-4040	CA50011	Female/Femmina
	XLE-4040	CA50011	Female/Femmina
	LP-4040	CA50011	Female/Femmina
	TW30-4040	CA50011	Female/Femmina

MARCA MEMBRANA MEMBRANA MAKE	MODELLO/MODEL	ADAPTER	TIPO DI ADAPTER ADAPTER TYPE
	BW30-4040	CA50011	Female/Femmina
	BW30LE-4040	CA50011	Female/Femmina
	TW30HP-4040	CA50011	Female/Femmina
<b>KOCH (Fluid Systems)</b>			
	4321 UF	CA50014	Male/Maschio
	TFC-4820 FR	CA50011	Female/Femmina
	4720 SR2	CA50011	Female/Femmina
	4221 HR	CA50014	Male/Maschio
	4820 ULP	CA50011	Female/Femmina
	4040 ULP	CA50011	Female/Femmina
	4820 HR	CA50011	Female/Femmina
	4040 HR	CA50011	Female/Femmina
	1820 HF	CA50011	Female/Femmina
	1820 SS	CA50011	Female/Femmina
	PES4040UF	CA50011	Female/Femmina
	ROGA 40404CA	CA50011	Female/Femmina
	TFC 4040HF	CA50011	Female/Femmina
	TFC 4040S	CA50011	Female/Femmina
	TFC 4821 HR-NW	CA50014	Male/Maschio
	TFC 4821 HR-NWHS	CA50014	Male/Maschio
	TFC 4821 ULP	CA50014	Male/Maschio
	TFC 4920S	CA50011	Female/Femmina
	TFC 4921S	CA50014	Male/Maschio
<b>Hydranautics</b>			
	SWC1-4040	CA50011	Female/Femmina
	ESPA4-4040	CA50011	Female/Femmina
	ESPA3-4040	CA50011	Female/Femmina
	ESPA2-4040	CA50011	Female/Femmina
	ESPA1-4040	CA50011	Female/Femmina
	CPA2-4040	CA50011	Female/Femmina
	ESNA1-4040	CA50011	Female/Femmina
	LFC1-4040	CA50011	Female/Femmina
	LFC3-4040	CA50011	Female/Femmina
	SANRO CPA3	CA50011	Female/Femmina
	SANRO CPA4	CA50011	Female/Femmina
	SANRO-HS	CA50011	Female/Femmina
	SWC2-4040	CA50011	Female/Femmina
	NTR-759HR-S4	CA50013	Female/Femmina
<b>Saehan - CSM</b>			
	UE4040-PF	CA50011	Female/Femmina
	NE4040-70	CA50011	Female/Femmina
	NE4040-90	CA50011	Female/Femmina
	RE4040-SH	CA50011	Female/Femmina
	RE4040-SR	CA50011	Female/Femmina
	RE4040-SN	CA50011	Female/Femmina
	RE4040-FL	CA50011	Female/Femmina
	RE4040-FE	CA50011	Female/Femmina
	RE4040-BLF	CA50011	Female/Femmina
	RE4040-BLR	CA50011	Female/Femmina
	RE4040-BLN	CA50011	Female/Femmina
	RE4040-BN	CA50011	Female/Femmina
	RE4040-BE	CA50011	Female/Femmina
	RE4021-BN	CA50011	Female/Femmina

MARCA MEMBRANA MEMBRANA MAKE	MODELLO/MODEL	ADAPTER	TIPO DI ADAPTER ADAPTER TYPE
Toray (Ro membra)			
	SC-6101	CA51465	Female/Femmina
	SC-4101	CA51465	Female/Femmina
	SC-2101	CA51465	Female/Femmina
	SU-610	CA51465	Female/Femmina
	SU-620	CA51465	Female/Femmina
	SUL-G10P	CA51465	Female/Femmina
	SU-710P	CA51465	Female/Femmina
	SUL-G10TS	CA51465	Female/Femmina
	SUL-G20FTS	CA51465	Female/Femmina
	SUL-G20TS	CA51465	Female/Femmina
	SU-720TS	CA51465	Female/Femmina
	SU-810	CA51465	Female/Femmina
	SUL-G10	CA51465	Female/Femmina
	SUL-G20F	CA51465	Female/Femmina
	SU-710R	CA51465	Female/Femmina
	SU-710L	CA51465	Female/Femmina
	SU-710	CA51465	Female/Femmina
	TM810L	CA50011	Female/Femmina
	TM810	CA50011	Female/Femmina
	TMG10	CA50011	Female/Femmina
	TM710	CA50011	Female/Femmina
	SU-210S	CA51465	Female/Femmina
Trisep			
	4040-TS80-TSF	CA50011	Female/Femmina
	4040-XN45-TSF	CA50011	Female/Femmina
	4040-ACM5-TWF	CA50011	Female/Femmina
	4040-ACM4-TSF	CA50011	Female/Femmina
	4040-ACM2-TSF	CA50011	Female/Femmina
	4040-SB20-TSA	CA50047	Male/Maschio
	4040-X201-TSF	CA50011	Female/Femmina