

PRESSURE VESSELS RO CODELINE 8"-300 PSI PV 80E30 END PORT



PV 80E30 CODELINE

MATERIALE DI COMPOSIZIONE:

- Vessel: _____ Vetrosesina
- Tappi: _____ Lega di alluminio 6061-T6
- Anello di chiusura tappo: _____ 316 SST
- Basamento tappo: _____ Lega di alluminio 6061-T6
- Selle (includere): _____ materiale termoplastico (nr. 2 per vessel fino al 3 elementi, dal 4 elementi fino al 6 elementi nr. 3 per vessel).
- Tiranti (inclusi): _____ in AISI 304 e cuscini in PVC (nr. 2 per vessel fino al 3 elementi, dal 4 elementi fino al 6 elementi nr. 3 per vessel).

DATI TECNICI

- Pressione di progetto: _____ 21 bar a 49°C (300 psi a 120°F)
- Temperatura minima di esercizio: _____ -7°C (20°F)
- Pressione di collaudo:
 - ASME 27 bar (390 psi)
 - CE 31 bar (450 psi)
- Pressione di scoppio: _____ 124 bar (1800 psi)
- Uscita permeato: _____ 1" NPT femmina
- Uscita concentrato: _____ 1 1/2" in AISI 316 connessione per giunto victaulic (giunto victaulic non incluso)
- Colore Standard: _____ Bianco
- Connettori per membrana (non inclusi): _____ Tramite adapter (2 x vessel, vedi documentazione tecnica)
- Nr. di elementi disponibili: _____ 1-2-3-4-5-6-7

CERTIFICATI:

- Ispezione e marcatura ASME CODE (quotazione su richiesta)
- Marcatura CE (quotazione su richiesta)
- Direttiva 97/23/CE (PED)
- NSF/ANSI 61
- ISO 9001:2000

APPLICAZIONI:

- Osmosi inversa;
- Ultrafiltrazione.

ACCESSORI DA ORDINARE A PARTE:

- Adapter: nr. 2 x vessel (vedi documentazione tecnica).
- Giunti Victaulic 1 1/2" VIC0001

TRATTAMENTO DELLE ACQUE:

- Domestiche
- Industriali
- Municipali
- Reflue (contattare l' Ufficio tecnico Hytek)
- di mare
- Farmaceutiche
- Alimentari

CODELINE PV 80E30

MATERIALS COMPOSITION:

- Shell material: _____ Fiberglass
- Plugs: _____ 6061-T6 Hard anodized Alum. alloy
- Retaining ring _____ 316 SST
- Bearing ring _____ 6061-T6 Hard anodized Alum. alloy
- Saddles (included): _____ Engineering thermoplastic ((nr. 2 supports required up to 3 elements, 3 supports required for length 4 and over)
- Straps (included): _____ AISI 304 and cushion in PVC (nr. 2 straps required up to 3 elements, 3 supports required for length 4 and over)

TECHNICAL SHEET:

- Design Pressure: _____ 21 bar a 49°C (300 psi at 120°F)
- Min. Operating temperature: _____ -7°C (20°F)
- Factory Test Pressure:
 - ASME 27 bar (390 psi)
 - CE 31 bar (450 psi)
- Burst Pressure: _____ 124 bar (1800 psi)
- Permeate Port: _____ 1" NPT female
- Concentrate Port: _____ 1 1/2" in AISI 316 connection for victaulic joint (victaulic joint not included)
- Standard color: _____ White
- Connection for membrane (not included): _____ By Adapter (2 x vessel, see technical documentation)
- Nr. elements available: _____ 1-2-3-4-5-6-7

CERTIFICATIONS:

- Inspection and ASME CODE stamped (quotation on request)
- CE mark stamped (quotation on request)
- 97/23/CE Directive (PED)
- NSF/ANSI 61
- ISO 9001:2000

APPLICATIONS:

- Reverse Osmose
- Ultrafiltration.

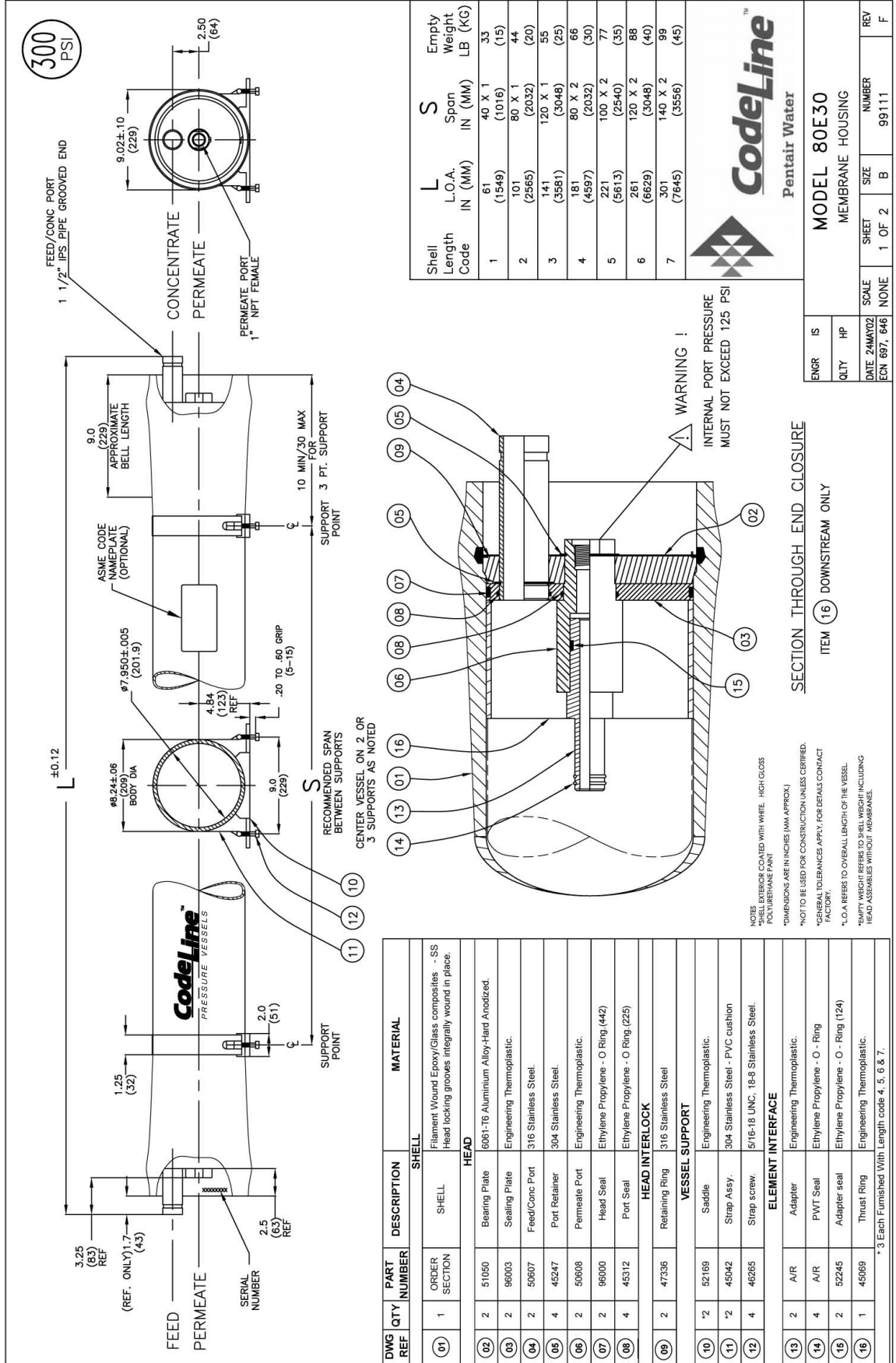
ACCESSORIES TO BE ORDERED SEPARATELY:

- Adapter: 2 x vessel, see technical documentation
- Victaulic Joints 1 1/2" VIC0001

WATER TREATMENTS

- Domestic
- Industrial
- Municipal
- Drains (contact Hytek Technical Office)
- Sea
- Pharmaceuticals
- Alimentary

DISEGNO TECNICO PV 80E30 CODELINE / CODELINE PV80E30 TECHNICAL DRAW



DISEGNO TECNICO PV 80E30 CODELINE / CODELINE PV80E30 TECHNICAL DRAW

RATING:

DESIGN PRESSURE.....300 PSI at 120°F
(2.1 MPa @ 49°C)
MIN. OPERATING TEMP.....20°F
(-7°C)
FACTORY TEST PRESSURE.....CE / ASME
450 / 390 PSI
(3.1 MPa) / (2.7 MPa)
BURST PRESSURE.....1800 PSI
(12.4 MPa)

INTENDED USE:

The CodeLine Model 80E30 Fiberglass RO Pressure Vessel is designed for continuous, long term use as a housing for reverse osmosis membrane elements to desalt typical brackish waters at pressures up to 300 psi. Any make of eight-inch nominal diameter spiral-wound element is easily accommodated; the appropriate interfacing hardware for the element specified is furnished with the vessel.

The CodeLine Model 80E30 is designed in accordance with the engineering standards of the Boiler and Pressure Vessel Code of the American Society of Mechanical Engineers (ASME Code). At small additional cost, vessels can be inspected during construction by an ASME Authorized Inspector and ASME Code stamped.

The CodeLine Model 80E30 must be installed, operated and maintained in accordance with the listed precautions and good industrial practice to assure safe operation over a long service life.

The high performance reinforced plastic shell must be allowed to expand under pressure; undue restraint at support points or piping connections can cause leaks to develop in the shell. The end closure, incorporating close fitting, interlocking metal components, must be kept dry and free of corrosion; deterioration can lead to catastrophic mechanical failure of the head.

The end closures, incorporating close-fitting, interlocking metal components, must be kept dry and free of corrosion; deterioration can lead to catastrophic mechanical failure of the heads.

Pentair Water will assist the purchaser in determining the suitability of this standard vessel for their specific operating conditions. The final determination however, including evaluation of the standard material of construction for compatibility with the specific corrosive environment, shall be the responsibility of the purchaser.

Specifications are subject to change without notice.

PRECAUTIONS:

- DO...read, understand and follow all instructions; failure to take every precaution will void warranty and may result in vessel failure
- DO...mount the shell on horizontal members at span "s" using compliant vessel supports furnished; tighten hold down straps just snug
- DO...provide overpressure protection for vessel set at not more than 105% of design pressure
- DO...inspect end closures regularly; replace components that have deteriorated and correct causes of corrosion
- DO NOT... make rigid piping connections to ports or clamp vessel in any way that resists growth of fiberglass shell under pressure; ADIA = 0.015 in. (0.4mm) and AL = 0.2 in. (5mm) for a length code -7 vessel
- DO NOT... hang piping manifolds from ports or use vessel in any way to support other components; branch connection piping may be simply supported between the header and port; maximum weight of branch piping: feed/concentrate - 16 lbs (7.3 kg); permeate - 8 lbs (3.6 kg)
- DO NOT... operate vessel at pressures and temperatures in excess of its rating
- DO NOT... operate vessel without permeate ports internally connected with a complete set of elements and interconnecting hardware
- DO NOT... operate vessel with permeate pressure in excess of 125 psi at 120°F (0.86 MPa @ 49°C)
- DO NOT... overtighten the connection to the permeate port (hand-tighten plus one-quarter turn, check for leaks)
- DO NOT... tolerate leaks or allow end closures to be routinely wetted in any way
- DO NOT... pressurize vessel until double-checking to verify that the retaining ring is completely inside the groove
- DO NOT... work on any component until first verifying that pressure is relieved from vessel
- DO NOT... operate at pH levels below 3 or above 10

ORDERING:

Using the chart below, please check the features you require and fax them with your purchase order to our customer service department for expedited processing.
For optional materials and/or features not listed below, please consult factory for pricing and availability.

Please note that we require your membrane brand and model number when ordering. If this information is not initially available, you may provide it at a later date by checking the appropriate box below.

VESSEL LENGTH CODE - please check one

MODEL 80E30 -1 -2 -3 -4 -5 -6 -7

MEMBRANE BRAND AND MODEL - please check one and fill in information

- Please supply adapters for the following membrane brand and specific model Brand _____ Model _____

CERTIFICATION REQUIRED

- ASME Stamped and National Board Registered (please consult factory for pricing)
- CE Marked
- Standard, Certified by Pentair water.

EXTERIOR FINISH - please check one

- Standard - white high-gloss polyurethane coating.
- Option - optional colors are available for 50 or more vessels per order. Call factory for pricing details.

MATERIAL OPTIONS

- Standard - All materials as per drawing 99111 on the first page.
- Customer specified materials: - (Please consult the factory, as these options will affect pricing and vessel lead-time.)

For complete information on proper use of this vessel please refer to the 80E series USER'S GUIDE Bulletin 523004.