

PRESSURE VESSELS RO CODELINE 4"-350 PSI PV 40E30N END PORT



PV 40E30N CODELINE

MATERIALE DI COMPOSIZIONE:

- Vessel: _____ Vetrosesina
- Tappi: _____ PVC

DATI TECNICI

- Pressione di progetto: _____ 21 bar a 49°C (300 psi a 120°F)
- Temperatura minima di esercizio: _____ -7°C (20°F)
- Pressione di collaudo: _____ 31 bar (450 psi)
- Pressione di scoppio: _____ 124 bar (1800 psi)
- Uscita permeato: _____ 1/2" NPT Femmina
- Uscita concentrato: _____ 1/2" NPT Femmina
- Colore Standard: _____ Blu
- Connessione con membrana da 3/4": _____ Diretta senza adapter
- Nr. di elementi disponibili: _____ 1-2-3

CERTIFICATI:

- Direttiva 97/23/CE (PED)
- NSF/ANSI 61
- ISO 9001:2000

APPLICAZIONI:

- Osmosi inversa;
- Ultrafiltrazione.

ACCESSORI DA ORDINARE A PARTE:

- Selle: _____ CA45058 (nr. 2 per vessel)
- Tiranti: _____ CA50329 (nr. 2 per vessel)

TRATTAMENTO DELLE ACQUE:

- Domestiche
- Industriali
- Municipali
- Reflue (contattare l' Ufficio tecnico Hytek)
- di mare
- Farmaceutiche
- Alimentari

CODELINE PV 40E30N

MATERIALS COMPOSITION:

- Shell material: _____ Fiberglass
- Plugs: _____ PVC

TECHNICAL SHEET:

- Design Pressure: _____ 21 bar a 49°C (300 psi at 120°F)
- Min. Operating temperature: _____ -7°C (20°F)
- Factory Test Pressure _____ 31 bar (450 psi)
- Burst Pressure: _____ 124 bar (1800 psi)
- Permeate Port: _____ 1/2" NPT Female
- Concentrate Port: _____ 1/2" NPT Female
- Standard color: _____ Blue
- Connection with 3/4" membrane: _____ Direct without adapter
- Nr. elements available: _____ 1-2-3

CERTIFICATIONS:

- 97/23/CE Directive (PED)
- NSF/ANSI 61
- ISO 9001:2000

APPLICATIONS:

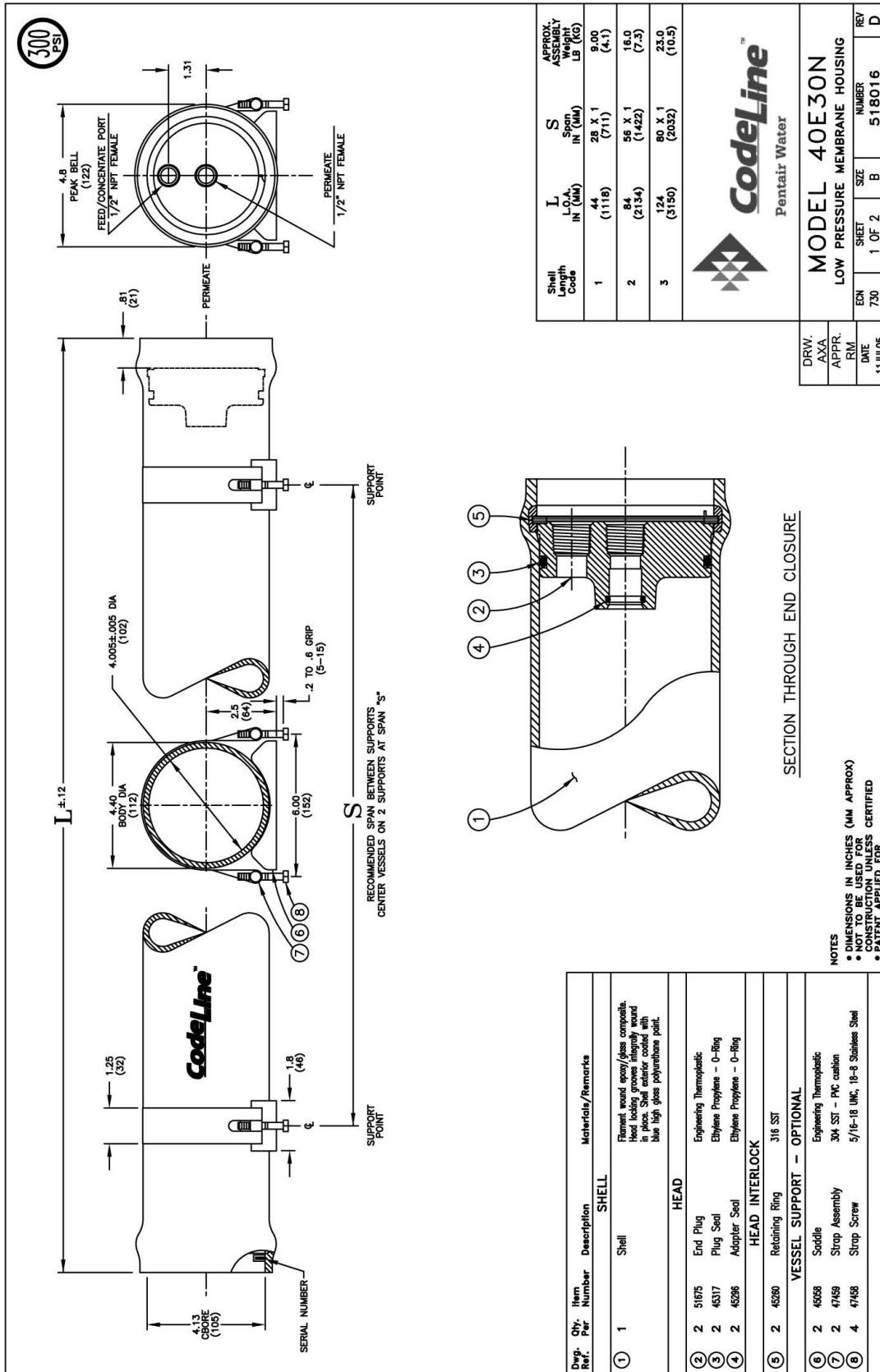
- Reverse Osmose
- Ultrafiltration.

ACCESSORIES TO BE ORDERED SEPARATELY:

- Saddles: _____ CA45058 (nr. 2 X Vessel)
- Straps: _____ CA50329 (nr. 2 X Vessel)

WATER TREATMENTS

- Domestic
- Industrial
- Municipal
- Drains (contact Hytek Technical Office)
- Sea
- Pharmaceuticals
- Alimentary



RATING:

DESIGN PRESSURE.....300 PSI at 120°F
 (2.1 MPa at 49°C)
 MIN. OPERATING TEMP.....20°F
 (-7°C)
 FACTORY TEST PRESSURE.....450 PSI
 (3.1 MPa)
 BURST PRESSURE.....1800 PSI
 (12.2 MPa)

INTENDED USE

The Model 40E30N Fiberglass RO/UF Pressure Vessel is designed for continuous, long-term use as a housing for single reverse osmosis and ultrafiltration elements in typical commercial water treatment systems at pressures up to 300 psi. Any make of 4-inch nominal diameter spiral-wound element with a 3/4" diameter male product water tube is easily accommodated.

The Model 40E30N must be installed, operated and maintained in accordance with the listed precautions, and good industrial practice to assure safe operation over a long service life.

The high performance reinforced plastic shell must be allowed to expand under pressure; undue restraint at support points or piping connections can cause leaks to develop in the shell. The end closure, incorporating close-fitting, interlocking metal components, must be kept dry and free of corrosion; deterioration can lead to catastrophic mechanical failure of the head assembly.

Pentair Water will assist the purchaser in determining the suitability of this standard vessel for their specific operating conditions. The final determination however, including evaluation of the standard materials of construction for compatibility with the specific corrosive environment, shall be the responsibility of the purchaser.

Specifications subject to change without notice.

PRECAUTIONS

- DO... read, understand and follow all instructions; failure to take every precaution will void warranty and may result in vessel failure
- DO... mount shell on horizontal or vertical members at central span "S" using compliant vessel supports; tighten hold down straps just snug.
- DO... provide overpressure protection for vessel set at not more than 105% of design pressure
- DO... inspect end closures regularly; replace components that have deteriorated and correct causes of corrosion
- DO NOT... make rigid piping connections to ports or clamp vessel in any way that restricts growth of fiberglass shell under pressure; Δ DIA = 0.01 in. (0.25mm) and Δ L = 0.3 in. (8mm) for a length code -1 vessel
- DO NOT... hang piping manifolds from ports or use vessel in any way to support other components
- DO NOT... operate vessel at pressures and temperatures in excess of its rating
- DO NOT... operate vessel without element installed.
- DO NOT... tolerate leaks or allow end closures to be routinely wetted in any way
- DO NOT... pressurize vessel until double checking to verify that the retaining rings are in place
- DO NOT... work on any component until first verifying that pressure is relieved from vessel

For complete information on proper use of this vessel please refer to the 40E Series USER'S GUIDE, Bulletin 518014

CAUTION:
 EYE PROTECTION SHOULD BE WORN WHEN REMOVING OR INSTALLING RETAINING RINGS.
 KEEP FINGERS CLEAR FROM RETAINING RING WHILE INSTALLING LAST OF TWO TURNS.
 RING MAY SNAP INTO POSITION POSSIBLY PINCHING FINGERS.

ORDERING

Using the chart below, please check the features you require and fax them with your purchase order to our customer service department for expedited processing. If this information is not initially available, you may provide it at a later date by checking the appropriate box below

For optional materials and or feature not listed below, please consult the factory for pricing and availability.

VESSEL LENGTH CODE - please check one

MODEL 40E30N -1 -2 -3

EXTERIOR FINISH - please check one

Standard - blue high-gloss polyurethane coating over sanded surface.

CERTIFICATION - please check one

Standard - certified by Pentair Water, not code stamped.

Option - CE marked.

MEMBRANE BRAND AND MODEL - please check one and fill in information

Please supply adapters for the following membrane brand and specific model.

Brand

Membrane brand and model information is not currently available, but will be supplied to Codeline on or before the following date. ____/____/____

Model

MATERIAL AND PORT CONFIGURATIONS - please check

Serial number

Opposite end

END PLUG MATERIALS

Standard - Polyvinyl Chloride

PERMEATE PORT CONFIGURATION

Standard - 1/2" NPT Female

FEED PORT CONFIGURATION

Standard - 1/2" NPT Female

Serial number end

Opposite end